

# CHARLOTTE

- SLOPED -



Cabinets: Shaker Grey  
Hood: Charlotte V2 in Shaker Grey

## available styles



**V1 Classic Moulding Smooth**



**V2 Flat Moulding Strapped**



**V3 Classic Moulding Strapped**

## charlotte features

- Sloped Chimney Available in 36 & 48" Heights (Trimmable by 6")
- Available in 30, 36, 42, & 48" Widths
- Constructed with a 3/4" Plywood Materials with a Maple Veneer
- Moulding on Apron (Varies by Style)
- Two Piece Construction for Easy Mounting & Access to Ducting

# CHARLOTTE

- SLOPED -

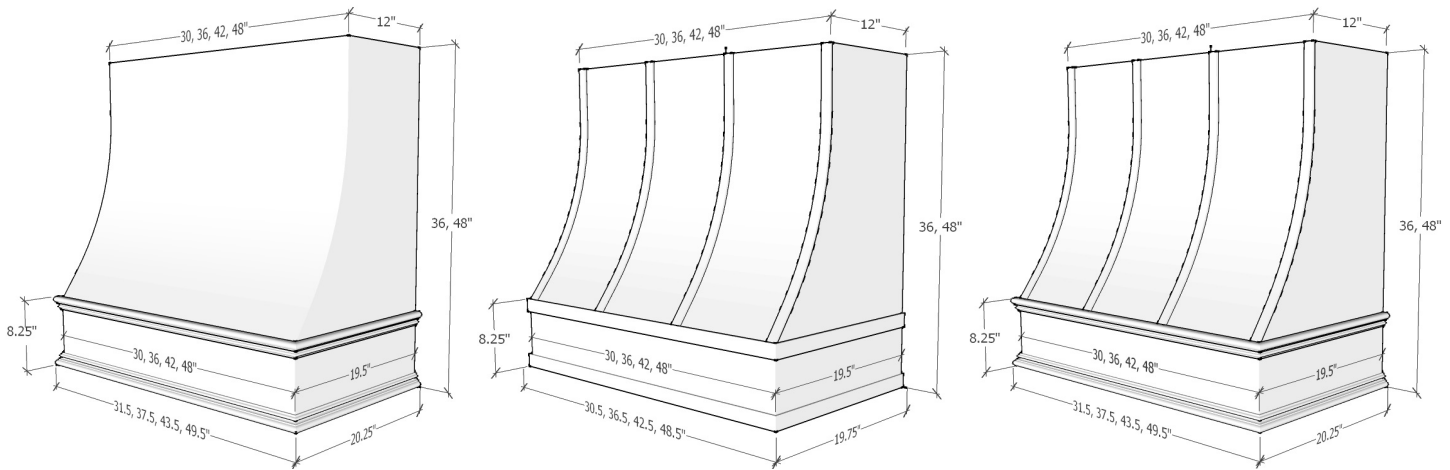
## available finishes

Our Wood Hoods are available in any one of our framed Capital Collection paints and stains to match your cabinets seamlessly or Unfinished (Raw) for in-field color customization.



## frequently asked questions

What are the exterior & interior dimensions of the hoods?



Size	Interior Width at Bottom	Interior Depth at Bottom	Interior Width at Top	Interior Depth at Top
<b>3036</b>	28-1/2"	18"	28-1/2"	10-3/4"
<b>3636</b>	34-1/2"	18"	34-1/2"	10-3/4"
<b>4236</b>	40-1/2"	18"	40-1/2"	10-3/4"
<b>4836</b>	46-1/2"	18"	46-1/2"	10-3/4"
<b>3048</b>	28-1/2"	18"	28-1/2"	10-3/4"
<b>3648</b>	34-1/2"	18"	34-1/2"	10-3/4"
<b>4248</b>	40-1/2"	18"	40-1/2"	10-3/4"
<b>4848</b>	46-1/2"	18"	46-1/2"	10-3/4"

## How many straps are on the chimney of strapped styles?

The number of straps on a hood is dependent on the overall width of the hood.

### One Strap

- 30"W

### Two Straps

- 36"W
- 42"W

### Three Straps

- 48"W