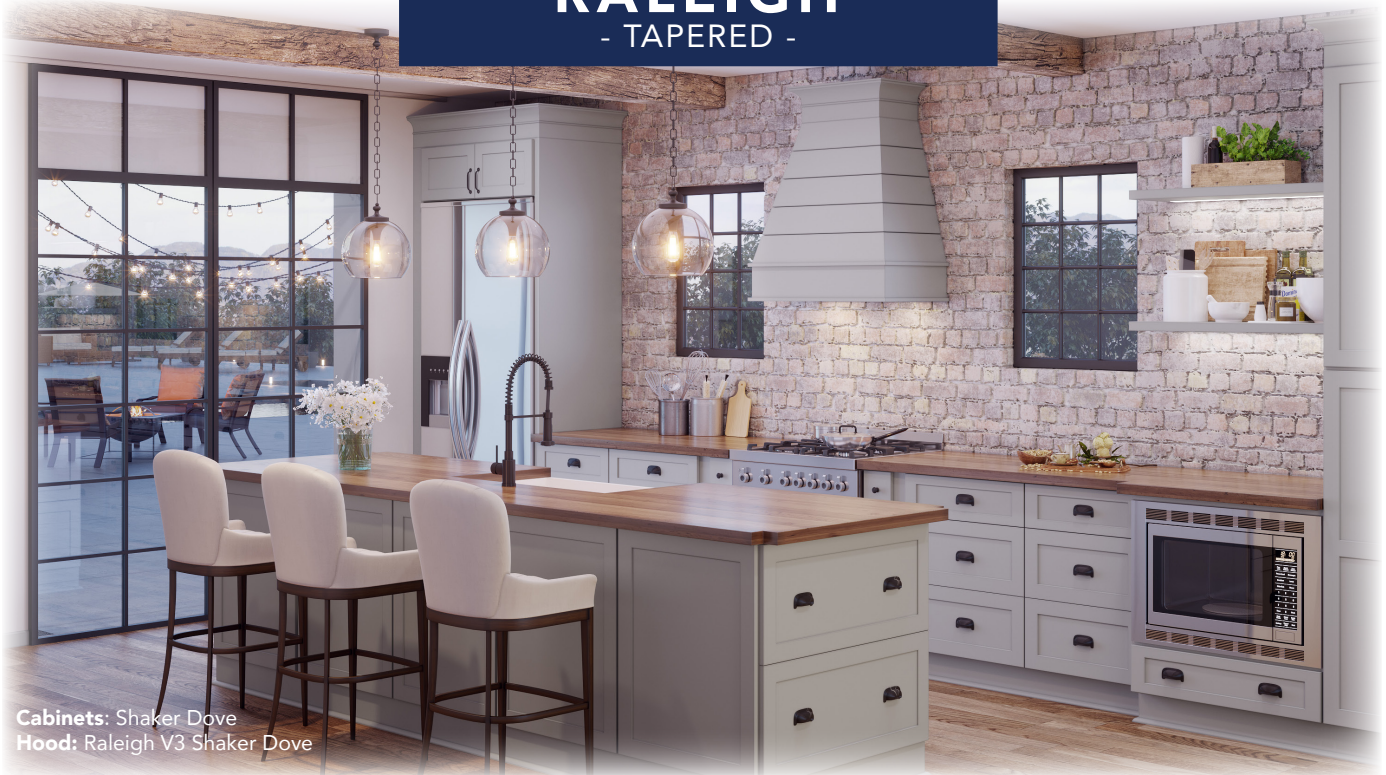


RALEIGH

- TAPERED -



Cabinets: Shaker Dove
Hood: Raleigh V3 Shaker Dove

available styles



V1 Classic Moulding Smooth



V2 Flat Moulding Strapped



V3 Block Moulding Shiplap

raleigh features

- Tapered Chimney Available in 36 & 48" Heights (Trimmable by 6")
- Available in 30, 36, 42, & 48" Widths
- Constructed with a 3/4" Plywood Materials with a Maple Veneer
- Moulding on Apron (Varies by Style)
- Two Piece Construction for Easy Mounting & Access to Ducting

RALEIGH

- TAPERED -

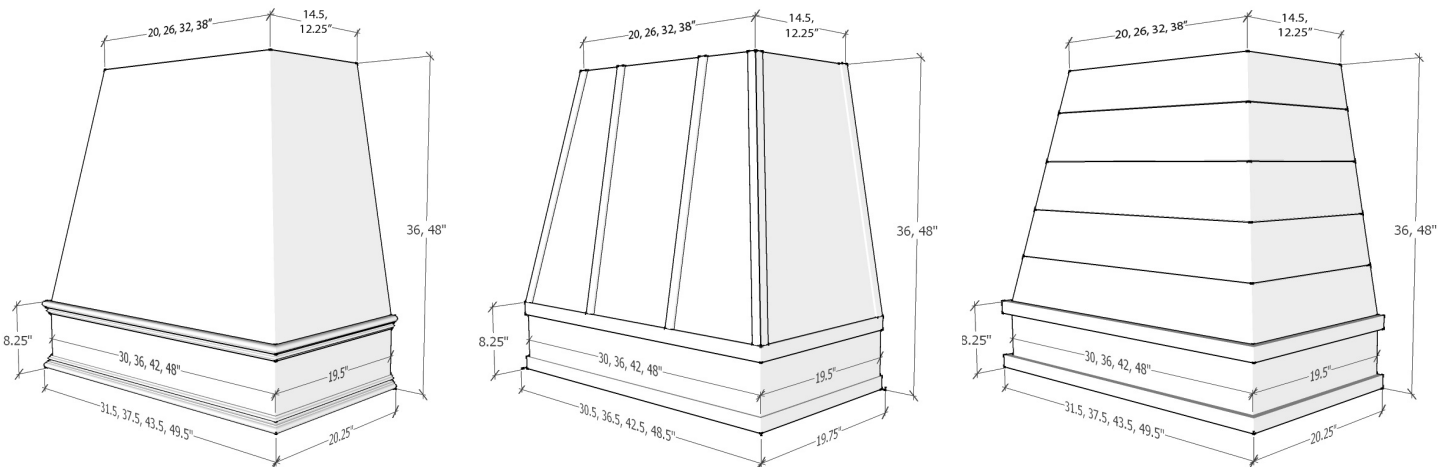
available finishes

Our Wood Hoods are available in any one of our framed Capital Collection paints and stains to match your cabinets seamlessly or Unfinished (Raw) for in-field color customization.



frequently asked questions

What are the exterior & interior dimensions of the hoods?



Size	Interior Width at Bottom	Interior Depth at Bottom	Interior Width at Top	Interior Depth at Top
3036	28-1/2"	18"	18-1/2"	13"
3636	34-1/2"	18"	24-1/2"	13"
4236	40-1/2"	18"	30-1/2"	13"
4836	46-1/2"	18"	36-1/2"	13"
3048	28-1/2"	18"	14-1/4"	10-3/4"
3648	34-1/2"	18"	20-1/4"	10-3/4"
4248	40-1/2"	18"	26-1/4"	10-3/4"
4848	46-1/2"	18"	32-1/4"	10-3/4"

How many straps are on the chimney of strapped styles?

The number of straps on a hood is dependent on the overall width of the hood.

One Strap

- 30"W

Two Straps

- 36"W
- 42"W

Three Straps

- 48"W